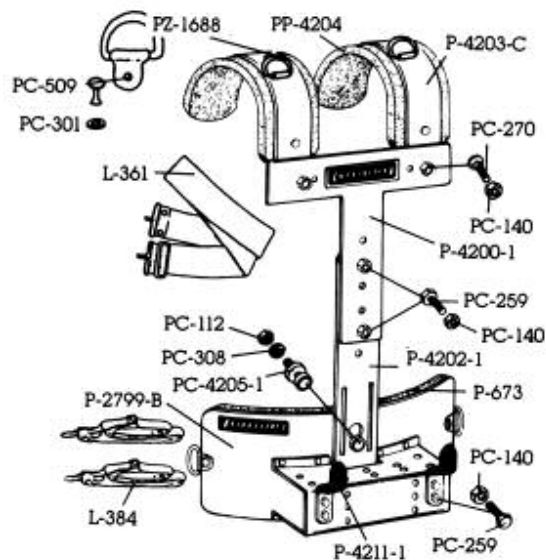


MUSICARE INC 2003

MARCHING PERCUSSION PARTS CATALOGUE



Featuring

- Schematic diagrams and part number identification.

This catalogue is designed to help musicians identify areas that need repair or to order parts.

Diagrams courtesy of Ludwig-Musser.



TABLE OF CONTENTS

Vest Carriers	3 to 4
Leg Rests & Bass Drum Eye-Bolt Assembly	5
Bell Lyra	6
Keyboard Parts & Assemblies	7
Marching Timpani	8

PRICING

- Seenitforless?Letusknowwhere,sowemayrespondwithabetterprice.

SHIPPING

- UPSorCanadaPost.

HOW TO ORDER

- phone:(613)822 -0601or1 -800-361-3323(toll -free)
- fax:(613)822 -0866or1 -800-825-7750(toll -free)
- email: sales@musicare.com

TERMS OF PAYMENT

Shippedorders:

- Visa,MasterCard,CertifiedCheque,BankDraft,PostalMoneyOrder

Over-the-counterorders:

- Cash,Interac,Visa,MasterCard,CertifiedCheque,BankDraft,PostalMoneyOrder

Schools,Institutionsor Government:

- Anyoftheaboveorbyvalidatedpurchaseorder.



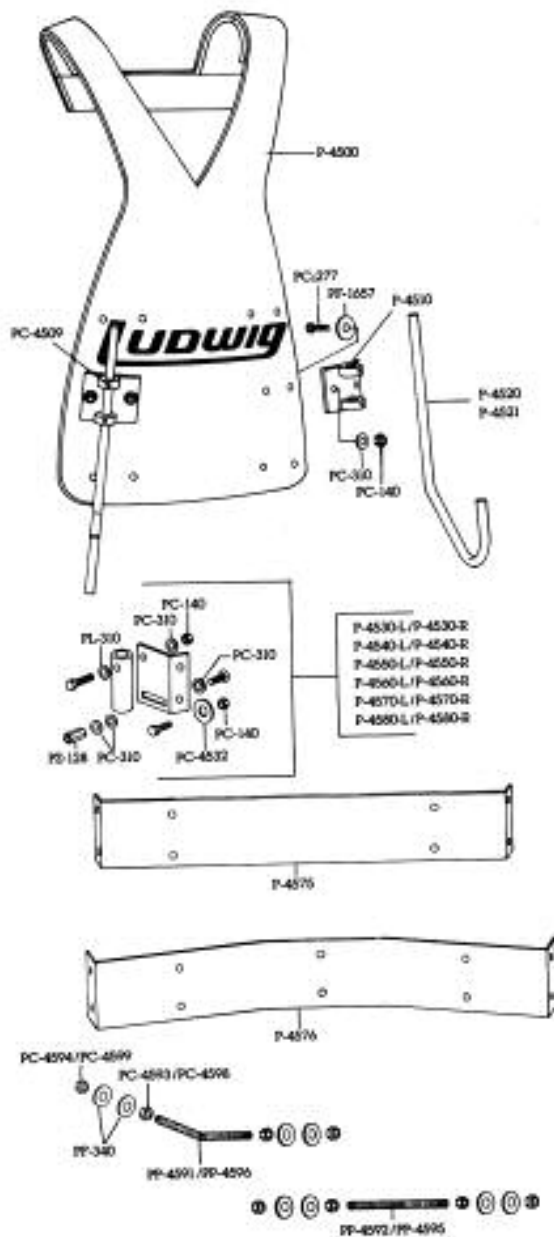
VEST CARRIERS

This publication is designed to help musicians identify areas that need repair or order parts. The diagrams are a guide to many different models available in the marketplace.

Call Musicare for ordering.

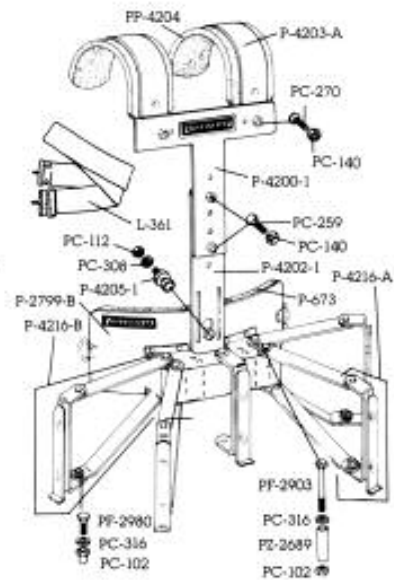
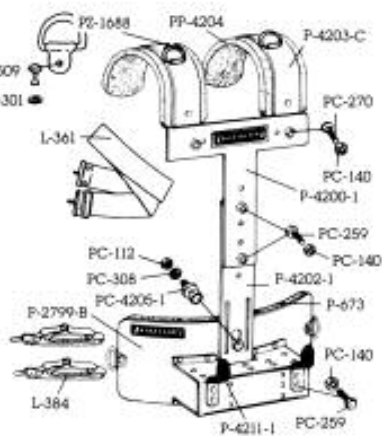
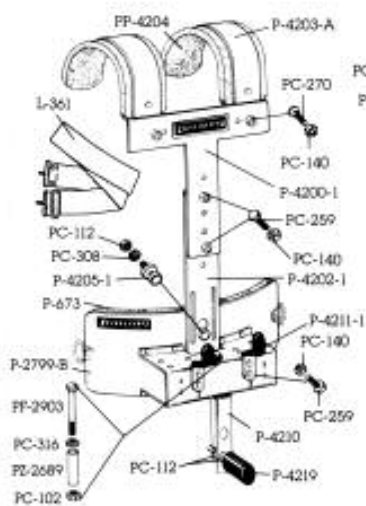
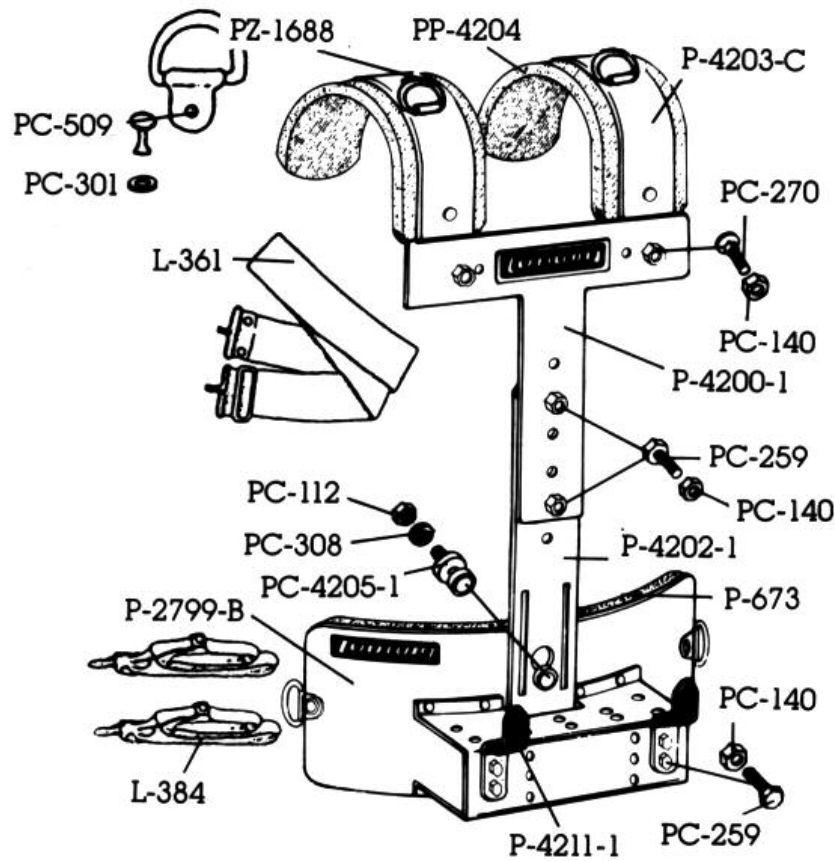
Call Musicare for help or assistance.

We supply new, used and repaired existing parts.



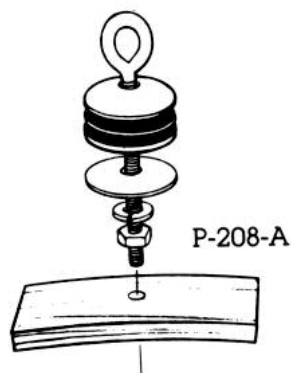
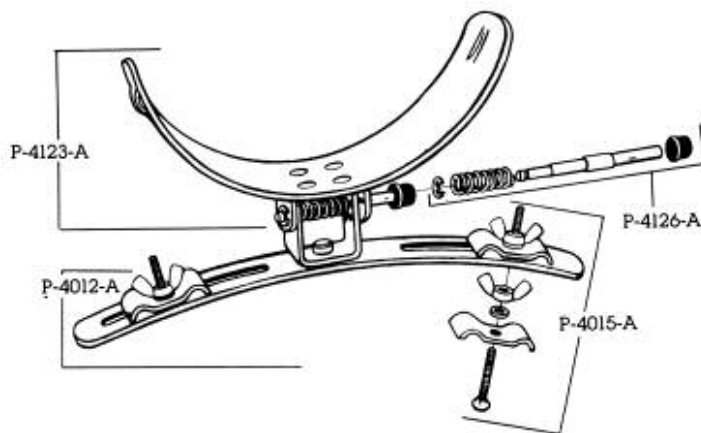
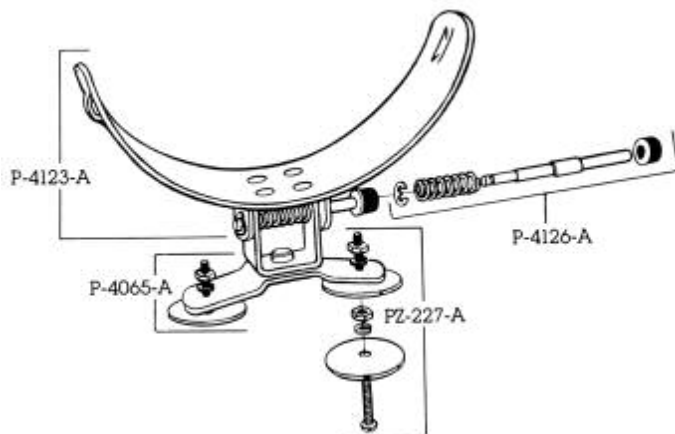


VEST CARRIERS



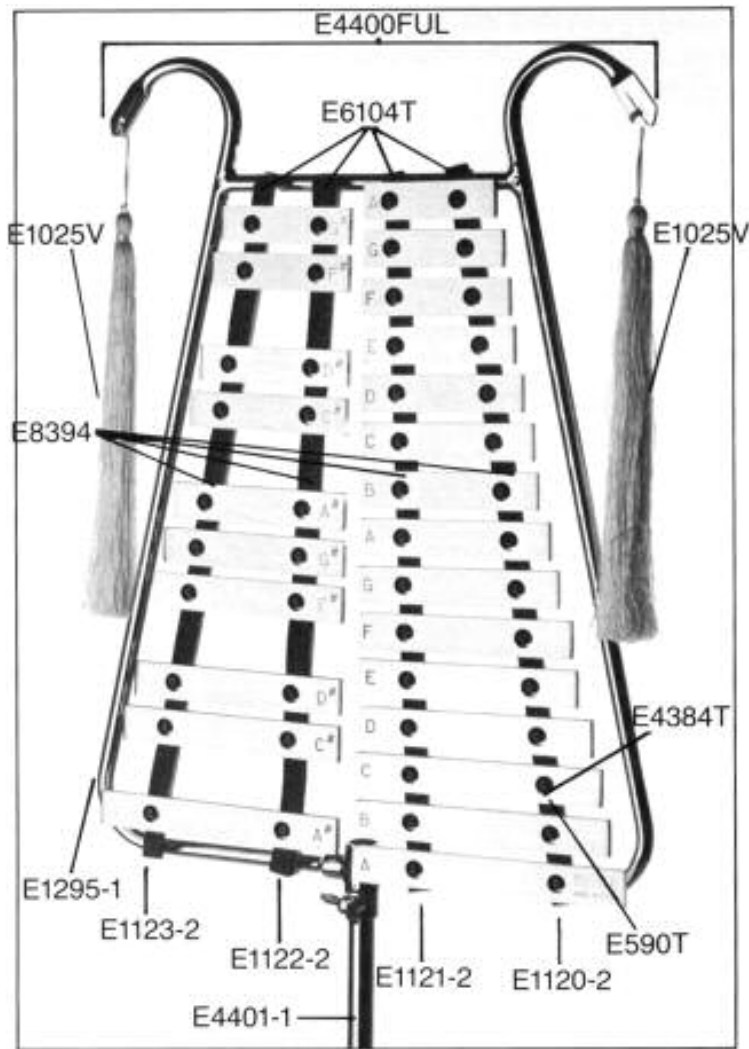


LEG RESTS & BASS DRUM EYE-BOLT ASSEMBLY



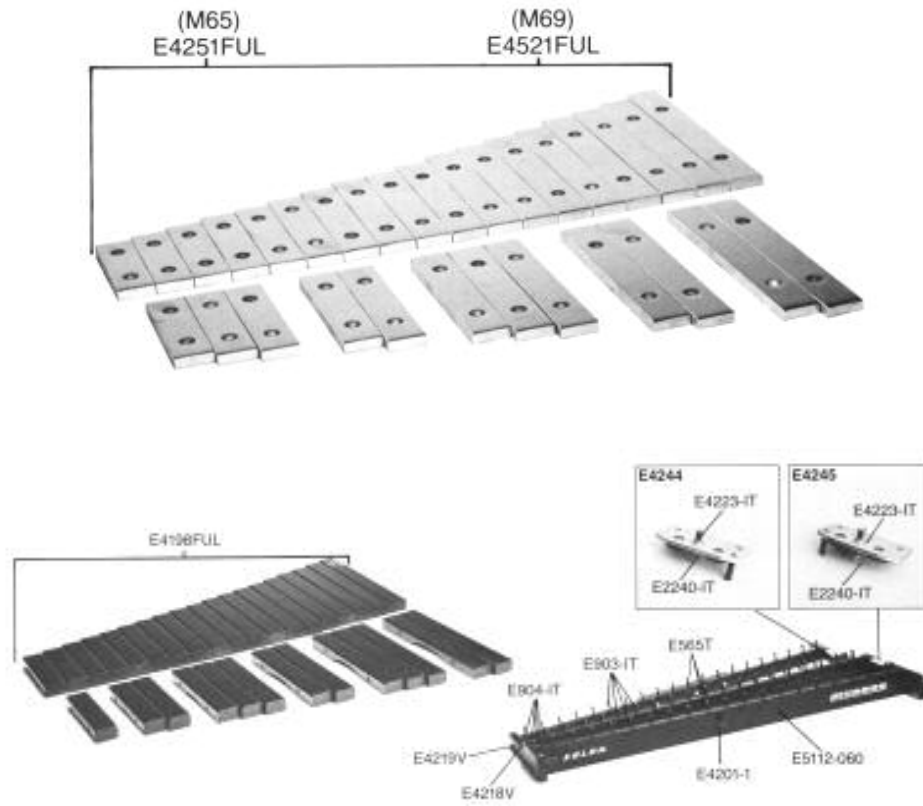


BELL LYRA



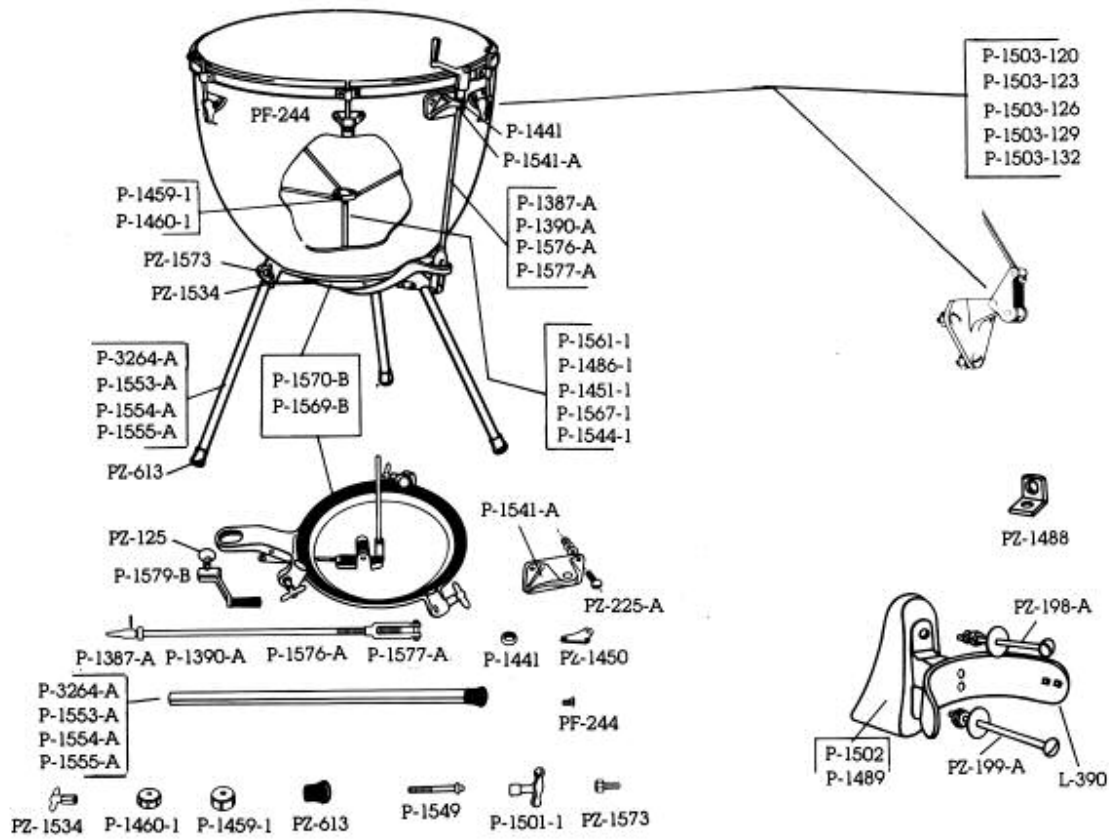


KEYBOARD PARTS & ASSEMBLIES





MARCHING TIMPANI





Musicare Inc.

Band Instrument Rentals, Repairs, Sales and Service.

Phone (613) 822-0601 Toll Free 1-800-361-3323

Fax (613) 822-0866 Toll Free 1-800-825-7750

Email sales@musicare.com

Musicare is located at **4534 Anderson Road**, only minutes from downtown Ottawa and easily accessible from all directions.

Driving time from *St. Laurent Shopping Center* is only 10 minutes.

For customers with busy schedules, we ship instruments and accessories to home or office through *UPS, Canpar, Purolator and Canada Post*.

Business hours are Monday to Friday, 8am to 5:00pm and Saturday 9am to 1pm. (Holiday hours excepted)

New customers welcome.



This publication cancels and supersedes all previously issued catalogs for the enclosed product categories. All precautions have been taken to prevent inaccuracies in compiling this catalogue. Should any error or omission occur, Musicare Inc., along with any of its associates cannot be held responsible. Publication MPP2003.